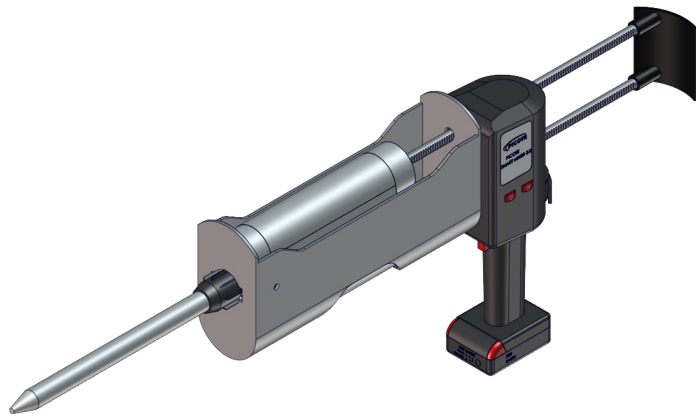
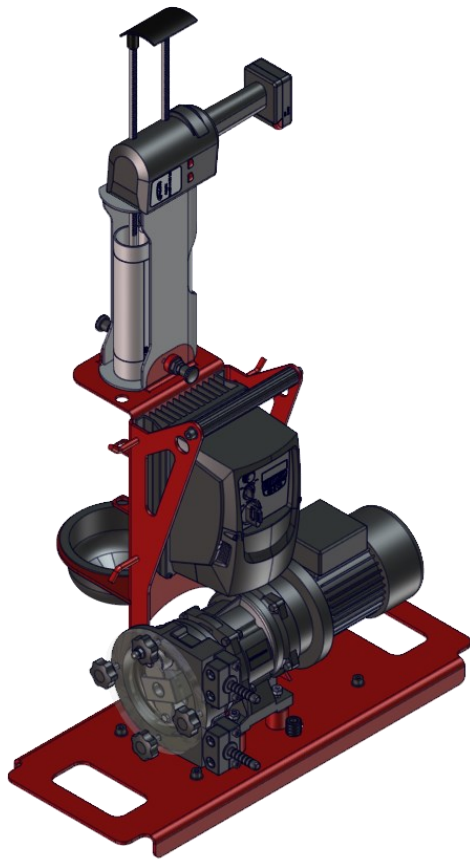


OPERATION & SAFETY MANUAL



! WARNING

These instructions are for your personal safety. Always ensure that you have read and understood these instructions before using the machinery.
SAVE THESE INSTRUCTIONS FOR FUTURE REFERENCE.

TABLE OF CONTENTS

SAVE ALL WARNINGS AND INSTRUCTIONS FOR FUTURE REFERENCE

TOPIC	PAGE
Safety Information	3
General Machine Safety Information	4
Environment, Transport, Storage & Disposal	5
General Information	6
CE Declaration of Conformity	7
Operating Instructions	8
Troubleshooting Guide	13
Warranty Policy & Procedure	14

To watch practical demonstration videos, take a course, or to download an electronic copy of these Instructions, please visit www.picoteinstitute.com. Please note that videos and courses are not intended as a replacement or alternative to this operating and safety manual, but only as an additional learning tool.

SAFETY INFORMATION

SAVE ALL WARNINGS AND INSTRUCTIONS FOR FUTURE REFERENCE

WARNING

This section contains important safety information. Failure to comply could result in serious injury.

Safety Symbols

Safety symbols are used throughout this manual to draw attention to potential hazards.



Danger risk of serious injury, follow instructions.



Danger risk of serious injury from rotating parts, follow instructions.



Danger risk of entanglement.

Do not operate this machine unless long hair has been confined. Do not wear loose clothing, gloves, jewelry or other items which can become entangled.

Personal Protective Equipment (PPE)

Always use Personal Protective Equipment including suitable protective clothing, footwear, plus:



Suitable eye protection to protect against chemicals from irritating eyes.



Suitable gloves to help prevent any contact with chemicals. Do not use gloves which can become entangled.



Suitable respirator to prevent any dust or fumes being inhaled or consumed, which could cause occupational asthma or dermatitis.

GENERAL MACHINE SAFETY INFORMATION

SAVE ALL WARNINGS AND INSTRUCTIONS FOR FUTURE REFERENCE

WARNING

This section contains important safety information. Failure to comply could result in serious injury or death.

Always read all safety warnings and instructions. Failure to follow warnings and instructions may result in electric shock, fire and/or serious injury.



1. **Always wear eye and chemical resistant gloves.**

Other personal protective equipment, such as dust mask, gloves and overalls should be worn when necessary. Do not wear loose clothing when using the machine. **Always wear appropriate personal protective equipment.**

2. Always ensure that the machine is fully turned off before inspection, maintenance, or installing any accessories to the machine. Always follow the instructions in the manufacturer's manual.

3. **Before each use** inspect the machine carefully for any potential break or damage. **Change damaged parts immediately.**

4. **Do not place hand or finger in front of plungers while battery is attached.** This could result in injury to operator.

5. **When not in use, turn speed control to its minimum setting and remove battery pack.** This prevents tool from starting unintentionally.

6. Only use this machine with the accessories and spare parts offered by Picote Solutions. Accessories and spare parts should only be used in the manner intended and as described by Picote Solutions.

SAVE ALL WARNINGS AND INSTRUCTIONS FOR FUTURE REFERENCE

WARNING This section contains important safety information. Failure to comply could result in serious injury or death

ENVIRONMENTAL

Operational Ambient Temperature Range:	-20 °C to +60 °C (-4 °F to +140 °F) frost and condensation free
Charge Ambient Temperature Range:	0 °C to +45 °C (32 °F to +113 °F) frost and condensation free
Storage Ambient Temperature Range:	-20 °C to +45 °C (-4 °F to +113 °F) frost and condensation free
Maximum Altitude:	2000m or 6500 ft. Derate above 1000m or 3280ft: 1% / 100m or 328ft
Maximum Humidity:	95% non-condensing

TRANSPORT

The Smart Mixer 2.0 should be transported in it's carrying bag battery detached. Always use a suitable cover to protect the unit from the elements.

STORAGE

The Smart Mixer 2.0 should be stored indoors to protect it from rain and sunlight and somewhere with a constant ambient temperature. The best way to store the machine is to use the bag it was delivered with.

If the machine has been stored in an environment colder than +10 °C or +50 °F, the machine should be stood at room temperature for 24 hours before use.

If the machine has been stored for long periods of time (over 2-3 months), it should be checked and tested according to the maintenance programme before use.

Charge the machine battery to around 80% capacity before storing for long periods.

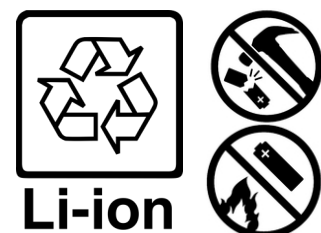
DISPOSAL

Battery charger and the dispenser unit can be disposed of in Europe at Waste Electrical and Electronic Equipment (WEEE) collection points.

Always follow local waste handling rules and regulations.

Recycle Li-ion batteries according to local regulations.

PLEASE NOTE! Do not dispose of in fire! Do not puncture!



Li-ion

GENERAL INFORMATION

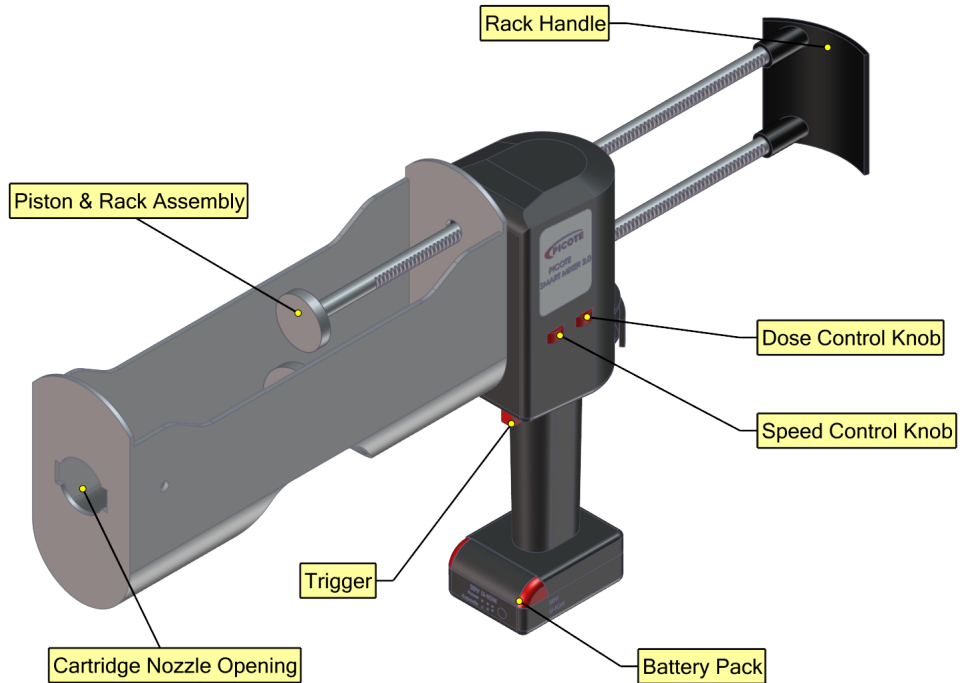
SAVE ALL WARNINGS AND INSTRUCTIONS FOR FUTURE REFERENCE

A BATTERY OPERATED

2-COMPONENT DISPENSER

GENERAL DESCRIPTION

For more details about the functional description, please see page 8.



INTENDED USE

This Smart Mixer 2.0 is intended for the following use;

Mixing Picote Dual Coat 100% Solids Epoxy and Mastic for the Picote Brush Coating™ Systems.

The Smart Mixer 2.0 is specifically calibrated for Picote products.

Use Picote Mini Miller and Mini Coating Pump or Maxi Miller and Maxi Coating Pump to apply the resin. Always follow the Picote Solutions instructions when installing and using the machine with accessories.

VOLTAGE

Smart Mixer battery charger

Charger capability - 100 - 240 VAC power source.

CE DECLARATION OF CONFORMITY

SAVE ALL WARNINGS AND INSTRUCTIONS FOR FUTURE REFERENCE

We Picote Solutions Oy Ltd as the responsible manufacturer, declare that the following Picote Solutions Oy Ltd dispensing machine:

Picote Smart Mixer

Model No: Smart Mixer 2.0

are of series production and

Conform to the following EU Directive:

2006/42/EY

2014/30/EU

2014/35/EU

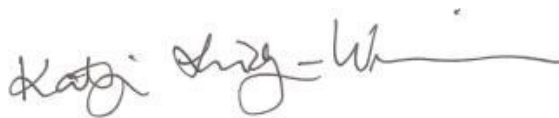
And is manufactured in accordance with the following standards or standardised documents:

EN 62841-1:2014

The technical documentation is kept by our authorised representative in Europe who is:

Picote Solutions Oy Ltd, Pienteollisuustie 24
06450 Porvoo, Finland

22th March 2022



Katja Lindy-Wilkinson

C.E.O.

Picote Solutions Oy Ltd

Pienteollisuustie 24, 06450 Porvoo, Finland

OPERATING INSTRUCTIONS

SAVE ALL WARNINGS AND INSTRUCTIONS FOR FUTURE REFERENCE

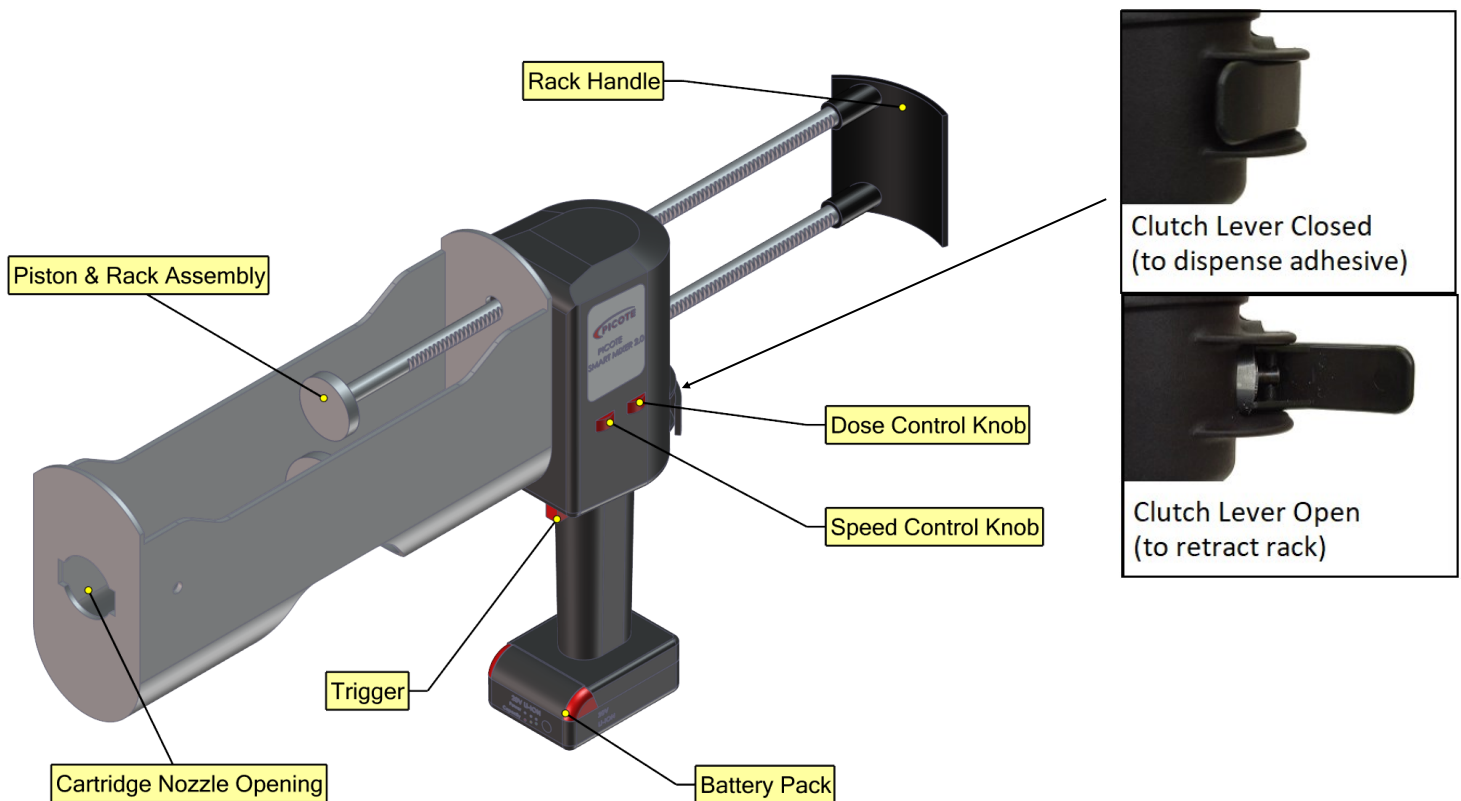
Before operation:

⚠ WARNING - Before installing Picote tools, always make sure that the machine is fully turned off and the battery charger unplugged.

⚠ CAUTION - Consult accessory operating manuals (Picote Millers and Coating Pumps) for detailed information.

STARTING & USING THE MACHINE

⚠ WARNING This section contains important safety information. Failure to comply could result in serious injury



Trigger

“ON”/“OFF” mechanism

Speed Control Knob ← - SPEED + →

The speed feature allows you to speed up or slow down the flow of resin. To use this feature, turn the speed control knob to the flow that is applicable to the application.

Changing the speed while using the dosing feature will reduce or increase the amount of resin dispensed.

OPERATING INSTRUCTIONS

SAVE ALL WARNINGS AND INSTRUCTIONS FOR FUTURE REFERENCE

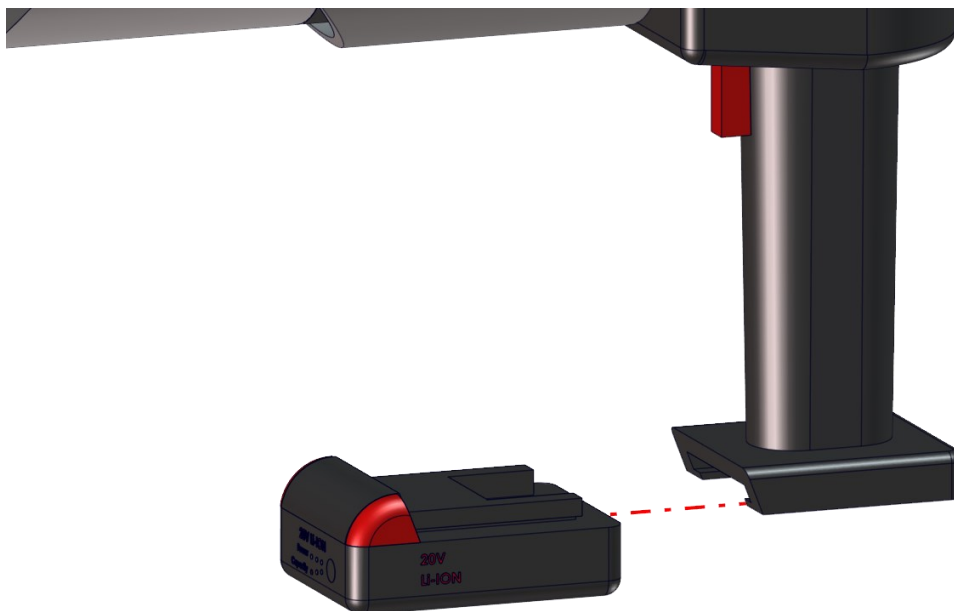
Dose Control Knob ← - DOSE + →

The dose control knob has been disabled.

Battery Pack

To remove battery pack, squeeze both release buttons and slide the battery pack forward.

To insert battery pack, slide battery pack fully onto the base of the handle.



Rack Handle

To reposition the pistons, open the clutch lever and push or pull the rack handle, as needed.

Cartridge Nozzle Opening

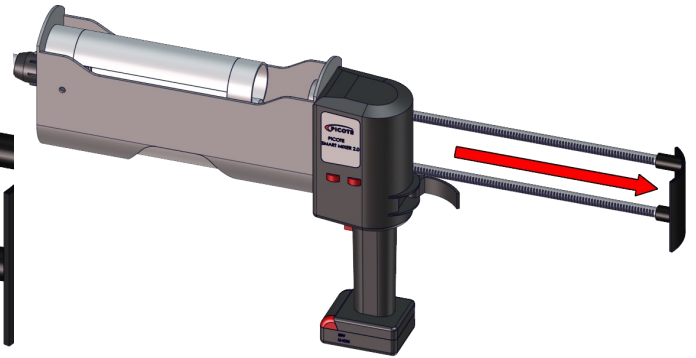
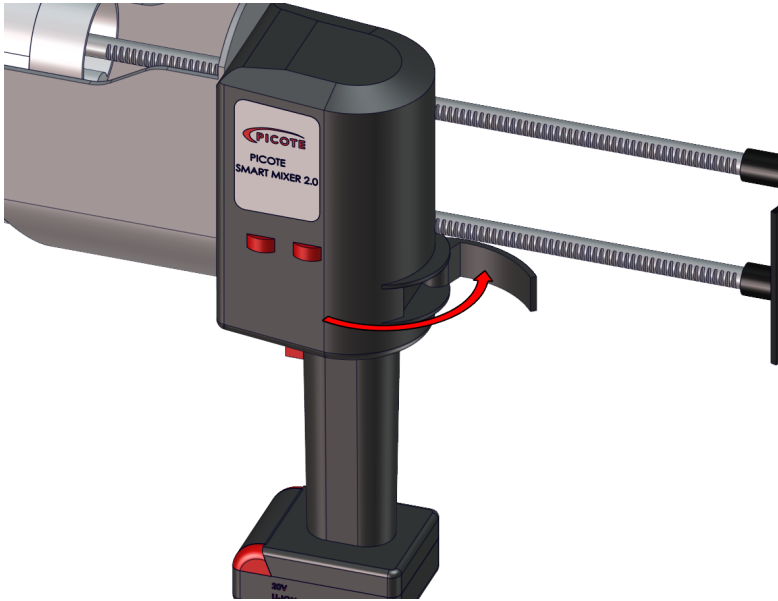
Line up the cartridge in the opening to ensure accurate cartridge alignment and proper engagement of pistons.

OPERATING INSTRUCTIONS

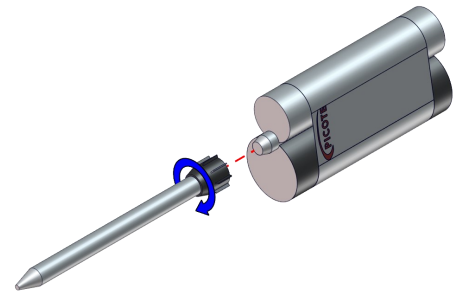
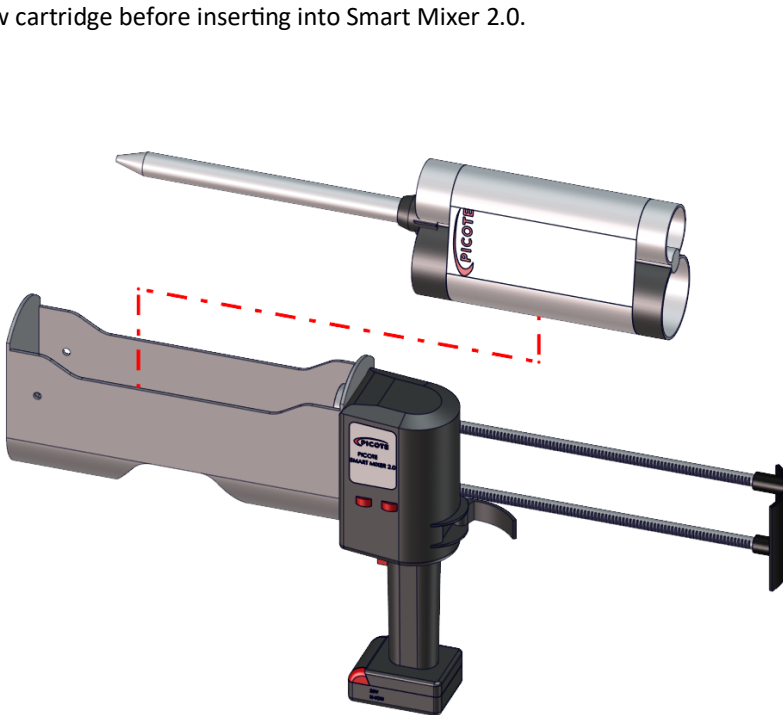
SAVE ALL WARNINGS AND INSTRUCTIONS FOR FUTURE REFERENCE

Step 1. Open clutch lever to allow free movement of rack.

Step 2. Pull the rack fully open.



Step 3. Remove cartridge and replace with new one. Add the static mixer to new cartridge before inserting into Smart Mixer 2.0.



OPERATING INSTRUCTIONS

SAVE ALL WARNINGS AND INSTRUCTIONS FOR FUTURE REFERENCE

Step 4. Push rack against the cartridge.



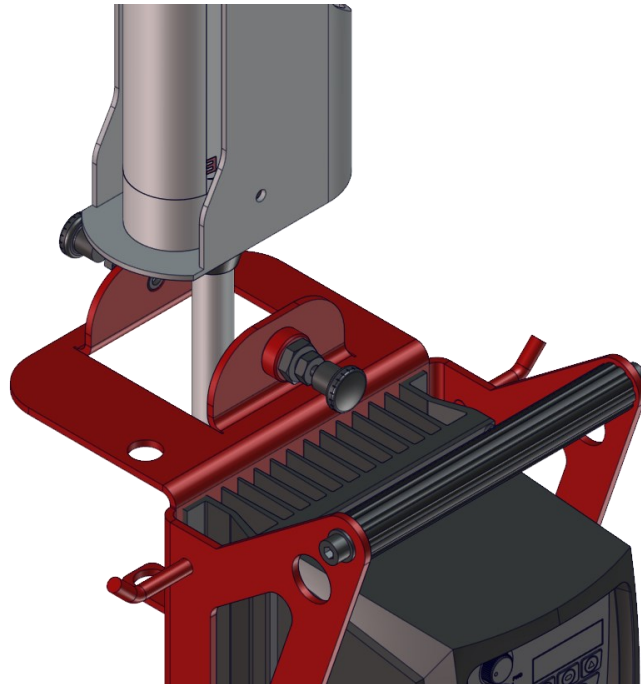
Step 5. Close rack lever.



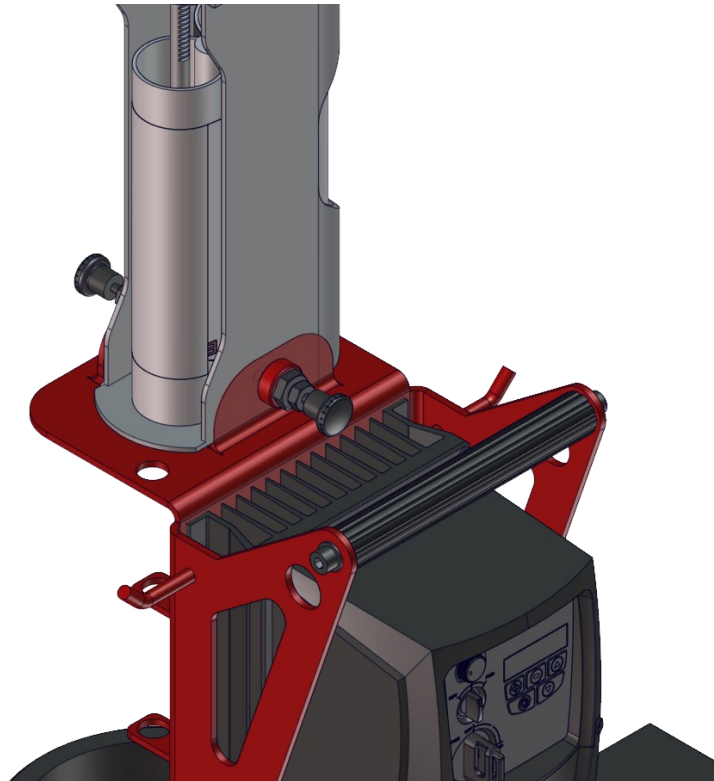
OPERATING INSTRUCTIONS

SAVE ALL WARNINGS AND INSTRUCTIONS FOR FUTURE REFERENCE

Step 6. Open Index Plungers of Coating Pump platform. Align the Smart Mixer 2.0 holes with Index Plungers.

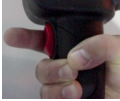
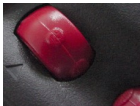
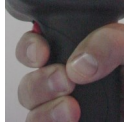
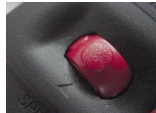
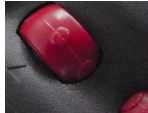

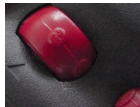





Step 7. Release Index Plungers to lock Smart Mixer 2.0 into the platform. Check that both Index Plungers have been locked to the Smart Mixer 2.0. Add resin cup to holder underneath the Smart Mixer 2.0 and start dispensing the resin.



TROUBLESHOOTING GUIDE

SAVE ALL WARNINGS AND INSTRUCTIONS FOR FUTURE REFERENCE

SYMPTOM	CAUSE	REMEDY
Motor does not start.	<p>Trigger not depressed </p> <p>Discharged battery</p> <p>Speed setting too low </p> <p>Battery pack not fully inserted.</p> <p>Cartridge fully dispensed (dispenser shuts off automatically)</p>	<p>Press trigger. </p> <p>Use charger to recharge battery. </p> <p>Increase speed setting</p> <p>Remove and reinstall battery pack.</p> <p>Remove and replace cartridge.</p>
Motor stops suddenly while running.	<p>Battery pack not fully inserted.</p> <p>Cartridge fully dispensed (dispenser shuts off automatically)</p>	<p>Remove and reinstall battery pack.</p> <p>Remove and replace cartridge.</p>
Motor stops gradually or slows down.	<p>Discharged battery </p> <p>Speed setting too low</p>	<p>Use charger to recharge battery.</p> <p>Increase speed setting </p>
Motor runs, but resin is not being dispensed.	<p>Clutch open </p> <p>Cartridge tip not removed</p> <p>Resin too cold.</p> <p>Cured resin clogging mixing tube</p> <p>Cartridge failure (blow by)</p>	<p>Close clutch. </p> <p>Remove tip.</p> <p>Warm the resin.</p> <p>Replace mixing nozzle (mixing tube).</p> <p>Remove cartridge. Clean pistons and teeth. Install new cartridge.</p>
Resin is dispensed very slowly	<p>Discharged Battery </p> <p>Speed setting too low</p> <p>Resin too cold.</p> <p>Cured resin clogging mixing tube</p> <p>Cartridge failure (blow by)</p>	<p>Use charger to recharge battery.</p> <p>Increase speed setting </p> <p>Warm the resin.</p> <p>Replace mixing nozzle (mixing tube).</p> <p>Remove cartridge. Clean pistons and teeth. Install new cartridge.</p>
Dispensed resin is not uniformly mixed.	<p>Resin too cold.</p> <p>Cured resin in mixing nozzle</p> <p>Cartridge failure (blow by)</p>	<p>Warm the resin.</p> <p>Replace mixing nozzle (mixing tube).</p> <p>Remove cartridge. Clean pistons and teeth. Install new cartridge.</p>
Rack handle is difficult to push or pull.	<p>Clutch closed </p> <p>Resin built up on rack teeth</p>	<p>Open clutch </p> <p>Remove cartridge. Clean pistons and teeth. Install new cartridge.</p>

If there is problem that you cannot resolve with this manual, please consult your Picote Reseller or Picote Solutions at claims@picotesolutions.com.

WARRANTY POLICY & PROCEDURE

SAVE ALL WARNINGS AND INSTRUCTIONS FOR FUTURE REFERENCE

Limited Warranty:

Picote warrants to the original End User that the Product purchased by such End User will operate in accordance with, and substantially conform to their published specifications when shipped or otherwise delivered to the End User and for a period of one (1) year, except electric motors and batteries for which the warranty period shall be six (6) months, provided, however, that Picote does not warrant any claim or damage under this Warranty if such claim or damage results from:

1. Consumable parts or normal wear and tear resulting from use of the Products,
2. Product overload or overheated motor,
3. Regular periodic maintenance of Products,
4. Misuse, neglect, or improper installation or maintenance of the Products, or use of Products not for their intended purpose,
5. Products that have been altered, modified, repaired, opened or tampered with by anyone other than Picote or an authorized Picote Service Centre, or unsuitable or unauthorized spare parts, accessories or third party products when using the Products or;
6. the use of the Products not in compliance with their respective Documentation, user manuals, safety and maintenance instructions, and any usage restrictions contained therein, or
7. accident, fire, power failure, power surge, or other hazard.

Otherwise, the Products are sold AS IS. End User is responsible for using the Products within their specifications and instructions as contained in the Documentation.

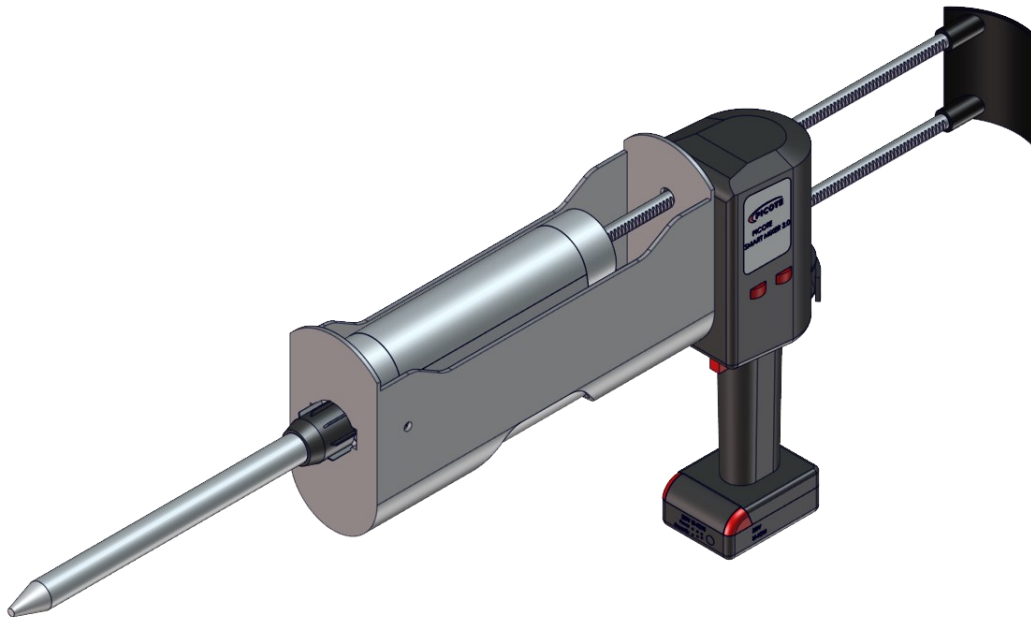
EXCEPT AS SPECIFIED IN THIS WARRANTY, ALL EXPRESS OR IMPLIED CONDITIONS, REPRESENTATIONS, AND WARRANTIES INCLUDING, WITHOUT LIMITATION, ANY IMPLIED WARRANTY OR CONDITION OF MERCHANTABILITY, FITNESS FOR A PARTICULAR PURPOSE, NON INFRINGEMENT, SATISFACTORY QUALITY OR ARISING FROM A COURSE OF DEALING, LAW, USAGE, OR TRADE PRACTICE, ARE HEREBY EXCLUDED TO THE EXTENT ALLOWED BY APPLICABLE LAW. TO THE EXTENT AN IMPLIED WARRANTY CANNOT BE EXCLUDED, SUCH WARRANTY IS LIMITED IN DURATION TO THE WARRANTY PERIOD. BECAUSE SOME STATES OR JURISDICTIONS DO NOT ALLOW LIMITATIONS ON HOW LONG AN IMPLIED WARRANTY LASTS, THE ABOVE LIMITATION MAY NOT APPLY. This disclaimer and exclusion shall apply even if the express warranty set forth above fails of its essential purpose.



Please Contact:

Your Reseller / Salesperson or Picote

www.picotegroup.com



International Offices

Finland. United Kingdom. USA.

Technical Support

support@picotesolutions.com

Claims

claims@picotesolutions.com

Production & R&D

Pienteollisuustie 24
06450 Porvoo, Finland
support@picotesolutions.com

Authorised Resellers:

www.picotegroup.com/resellers