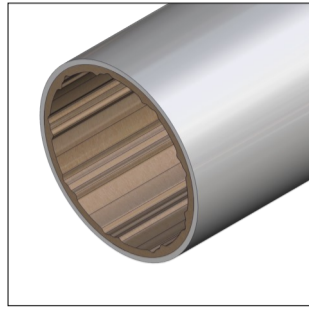
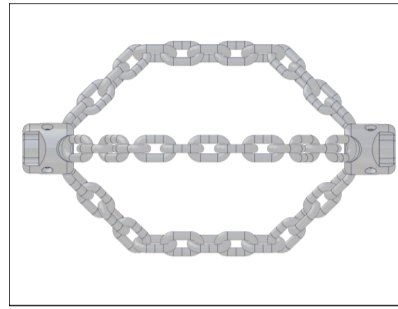


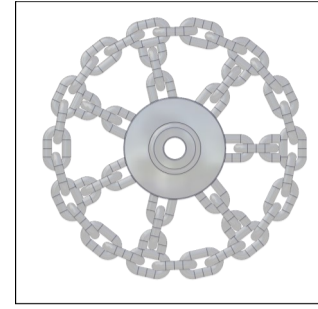
**D
E
S
C
A
L
I
N
G**



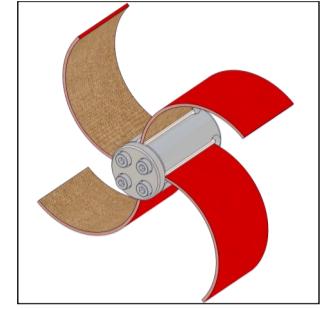
INTACT



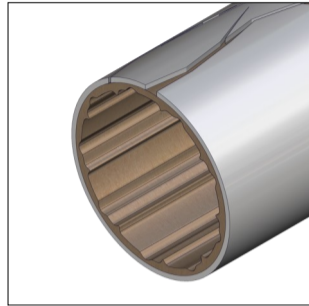
Original PVC Chain



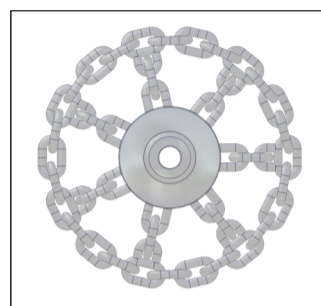
Cyclone PVC Chain



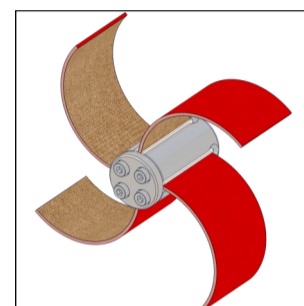
Smart Cutter



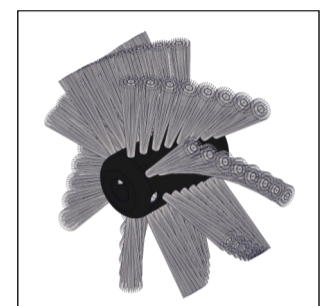
FRAGILE



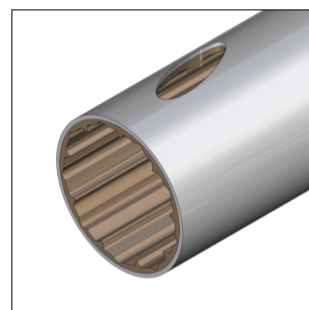
Cyclone PVC Chain



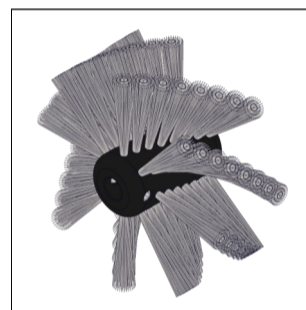
Smart Cutter



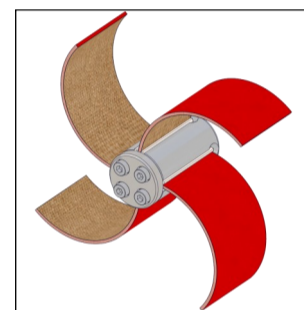
Wire Cleaning Brush



DAMAGED

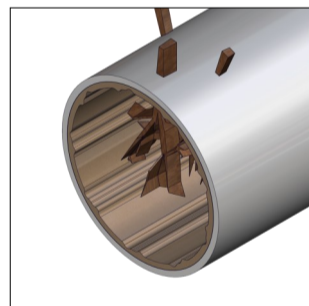


Wire Cleaning Brush



Smart Cutter

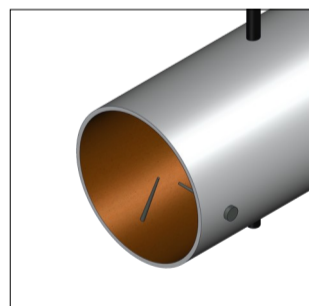
**S
P
E
C
I
A
L**



ROOTS



Twister Mini



METAL

Refer to the Midi and Maxi Miller Range of Machines

Micro Miller
Shaft Diameter: 8 mm (1/3")
Range: 12 m (39 ft)
Pipe Diameter Range: DN50 (2") to DN100 (4")
Mini Miller
Shaft Diameter: 8 mm (1/3")
Range: 17 metres (55 ft)
Pipe Diameter Range: DN50 (2") to DN100 (4")

Available Tools	Size Range
Original PVC Chain	DN50 (2") to DN125 (5")
Cyclone PVC Chain	DN70 (3") to DN150 (6")
Smart Cutter	DN50 (2") to DN75 (3")
Wire Cleaning Brush	DN50 (2") to DN150 (6")
Twister Mini	DN50 (2") & DN70 (3")